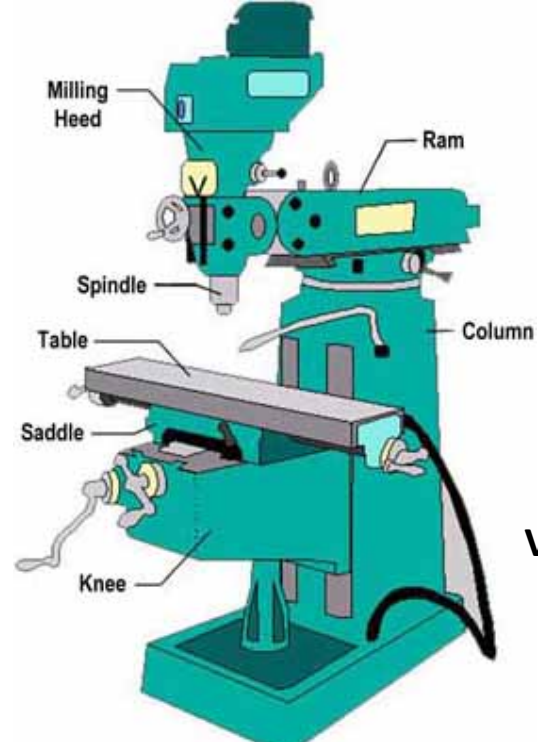
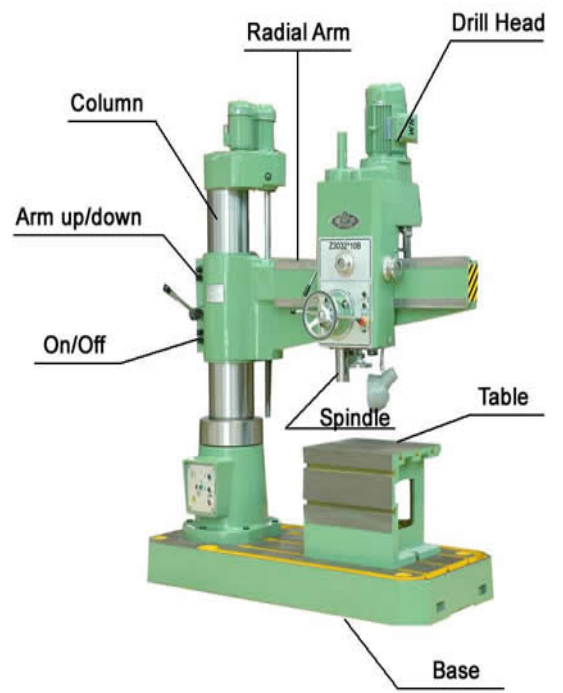


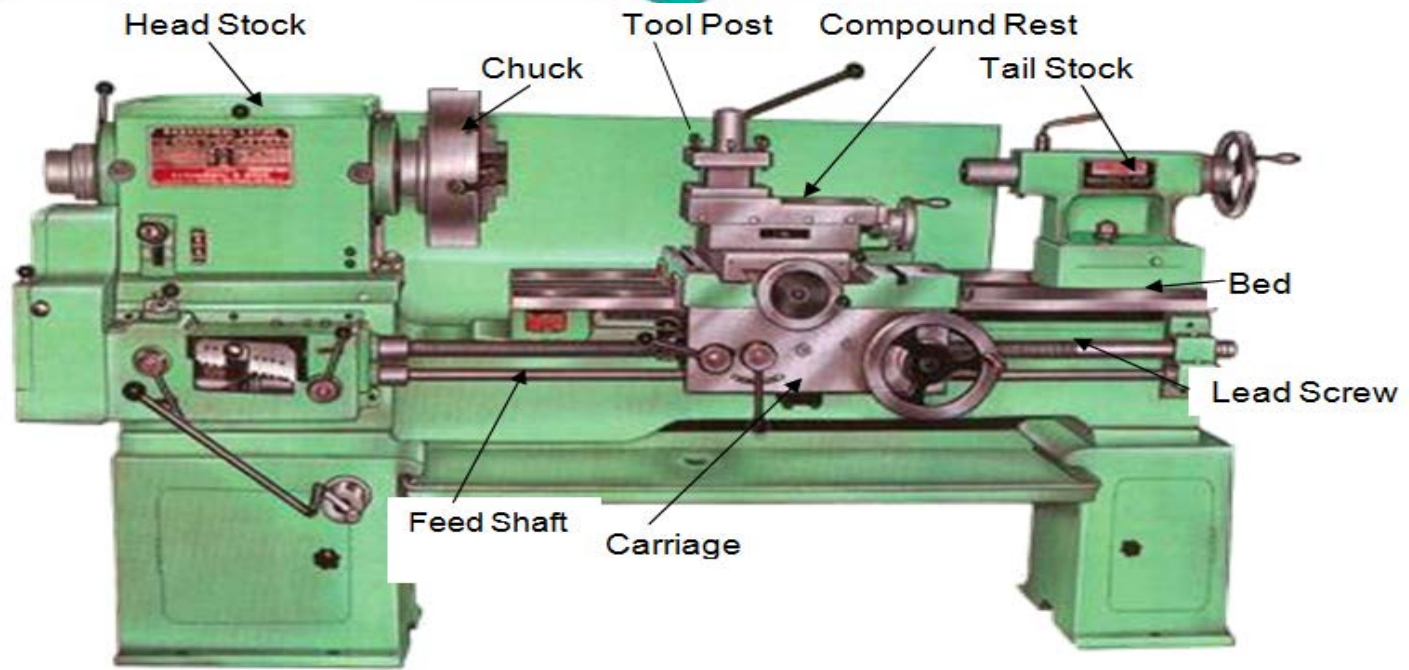
Horizontal Milling Machine



Vertical Milling machine



Drilling Machine



Lathe Machine